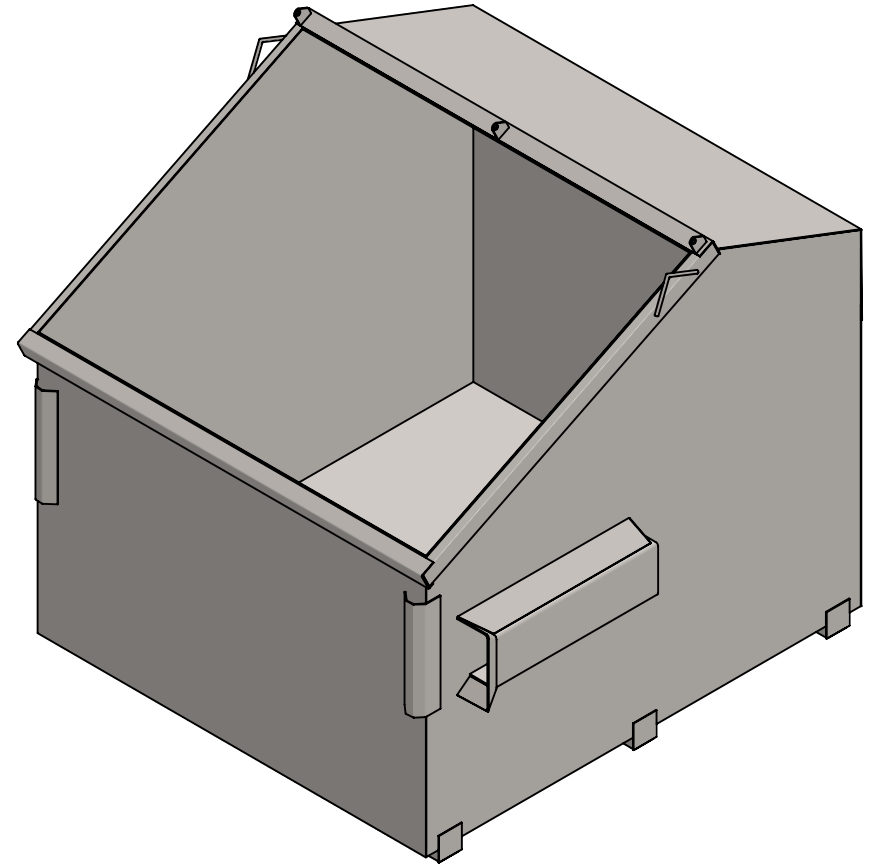
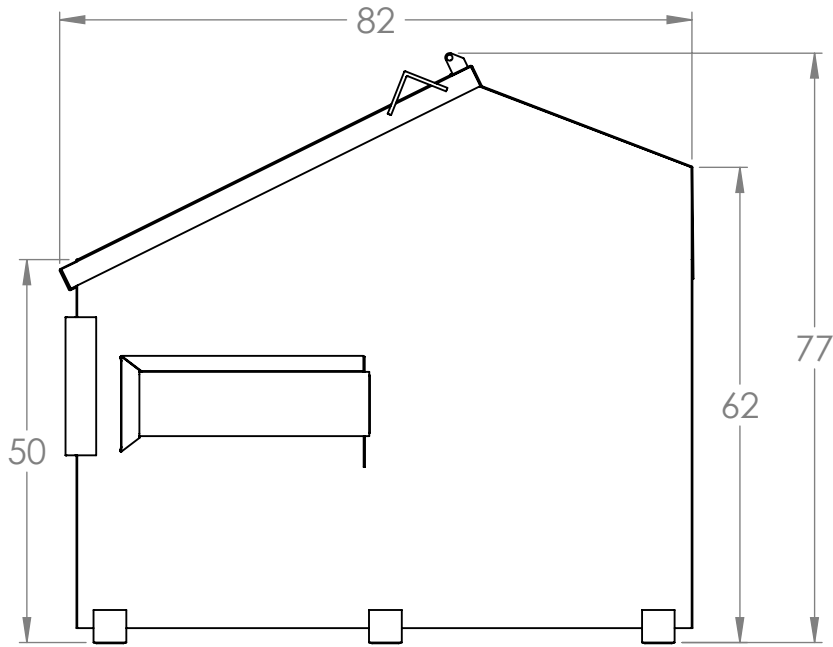


2

1

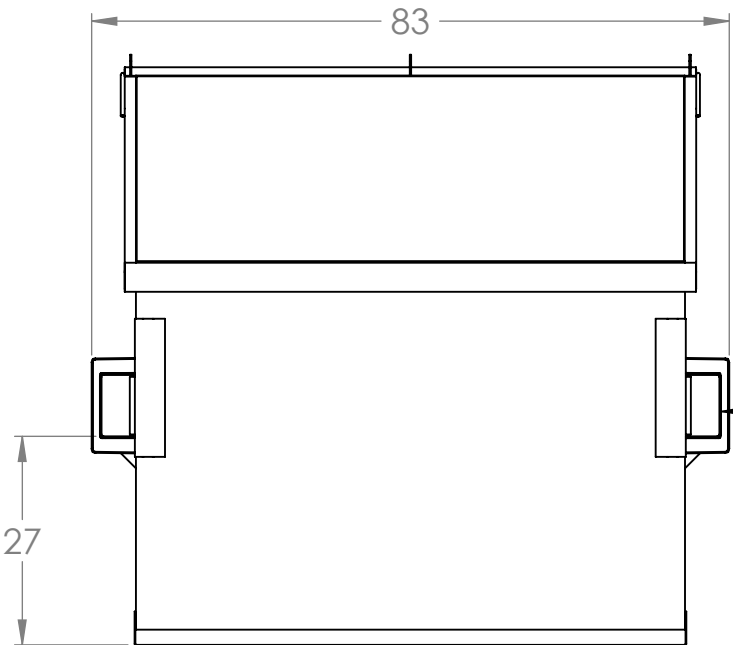
B

B



A

A



7GA 30" POCKET

2

1

POYNETTE IRONWORKS

PROPRIETARY AND CONFIDENTIAL

THE INFORMATION CONTAINED IN THIS DRAWING IS THE SOLE PROPERTY OF POYNETTE IRONWORKS. ANY REPRODUCTION IN PART OR AS A WHOLE WITHOUT THE WRITTEN PERMISSION OF POYNETTE IRONWORKS IS PROHIBITED.

UNLESS OTHERWISE SPECIFIED:		TITLE:	
DIMENSIONS ARE IN INCHES		PART NO:	
TOLERANCES:		8 FLSS	
FRACTIONAL	±1/2	SIZE	DESIGNED BY:
WEIGHT	±5%	A	3/23/2020
MATERIAL		SCALE:	1:25 WEIGHT: 950
			REV -
			SHEET 1 OF 1