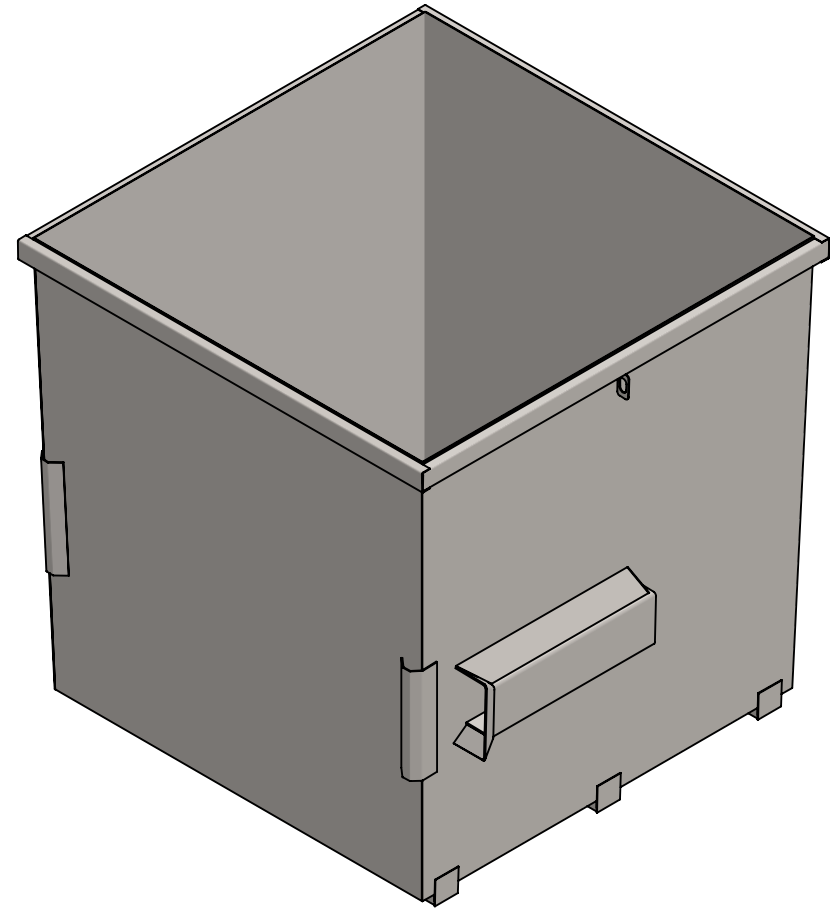
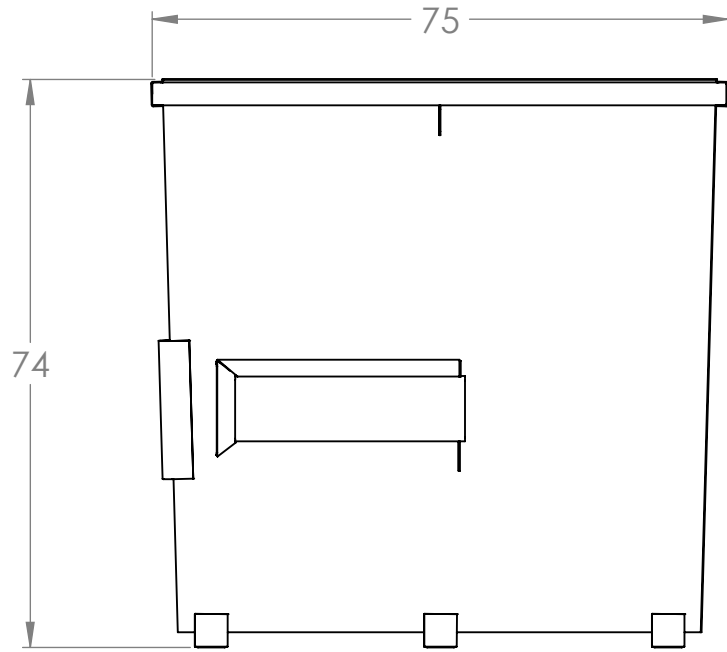


2

1

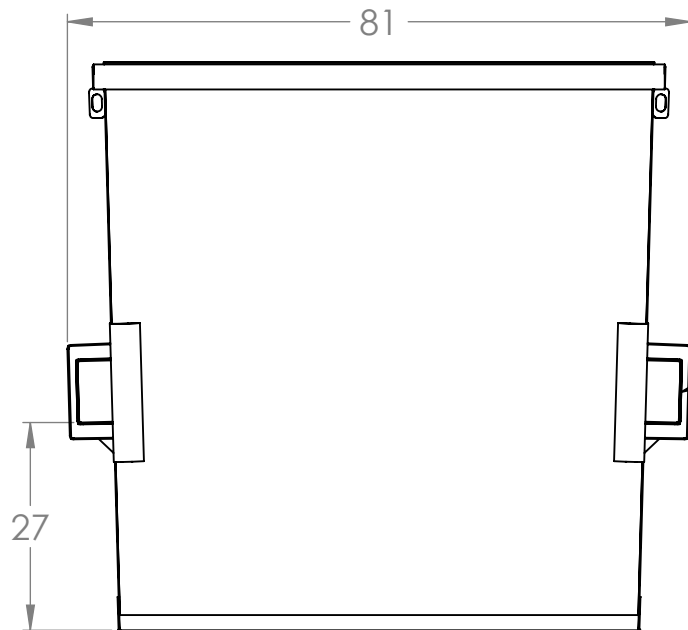
B

B



A

A



30" 7GA POCKETS

2

1

POYNETTE IRONWORKS

PROPRIETARY AND CONFIDENTIAL

THE INFORMATION CONTAINED IN THIS DRAWING IS THE SOLE PROPERTY OF POYNETTE IRONWORKS. ANY REPRODUCTION IN PART OR AS A WHOLE WITHOUT THE WRITTEN PERMISSION OF POYNETTE IRONWORKS IS PROHIBITED.

UNLESS OTHERWISE SPECIFIED:		TITLE:	
DIMENSIONS ARE IN INCHES		PART NO:	
TOLERANCES:		8 FLFT-72"	
FRACTIONAL	±1/16	SIZE	DESIGNED BY:
ANGULAR	±10'	A	DATE:
TWO PLACE DECIMAL	±.01		4/3/2020
THREE PLACE DECIMAL	±.005		REV
MATERIAL			-
SCALE: 1:25	WEIGHT: 907.47	SHEET 1 OF 1	