

2

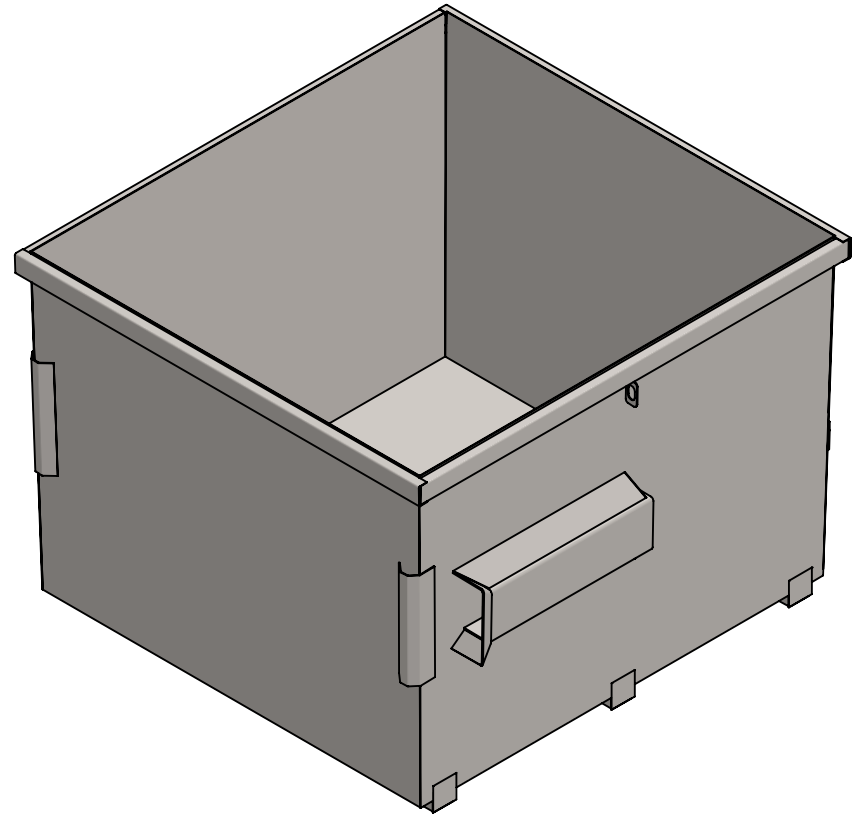
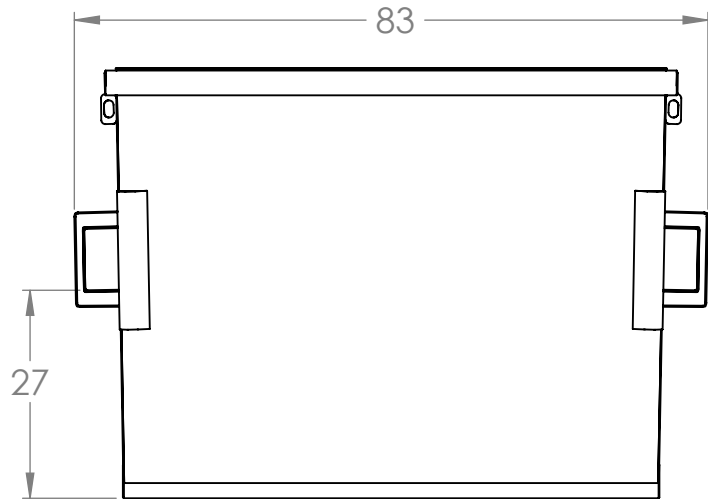
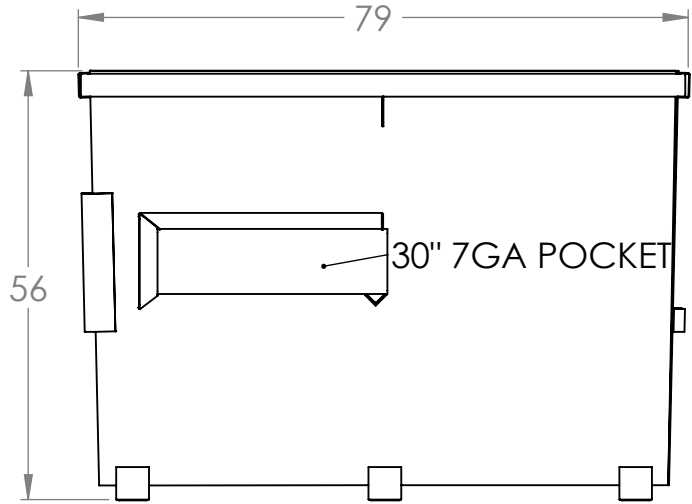
1

B

B

A

A



**POYNETTE IRONWORKS**

**PROPRIETARY AND CONFIDENTIAL**

THE INFORMATION CONTAINED IN THIS DRAWING IS THE SOLE PROPERTY OF POYNETTE IRONWORKS. ANY REPRODUCTION IN PART OR AS A WHOLE WITHOUT THE WRITTEN PERMISSION OF POYNETTE IRONWORKS IS PROHIBITED.

UNLESS OTHERWISE SPECIFIED:		TITLE:	
DIMENSIONS ARE IN INCHES		PART NO:	
TOLERANCES:		6 FLST-54	
WEIGHT		SIZE	DESIGNED BY:
		A	4/13/2020
MATERIAL		SCALE:	REV
		1:25 WEIGHT: 820	-
			SHEET 1 OF 1

2

1