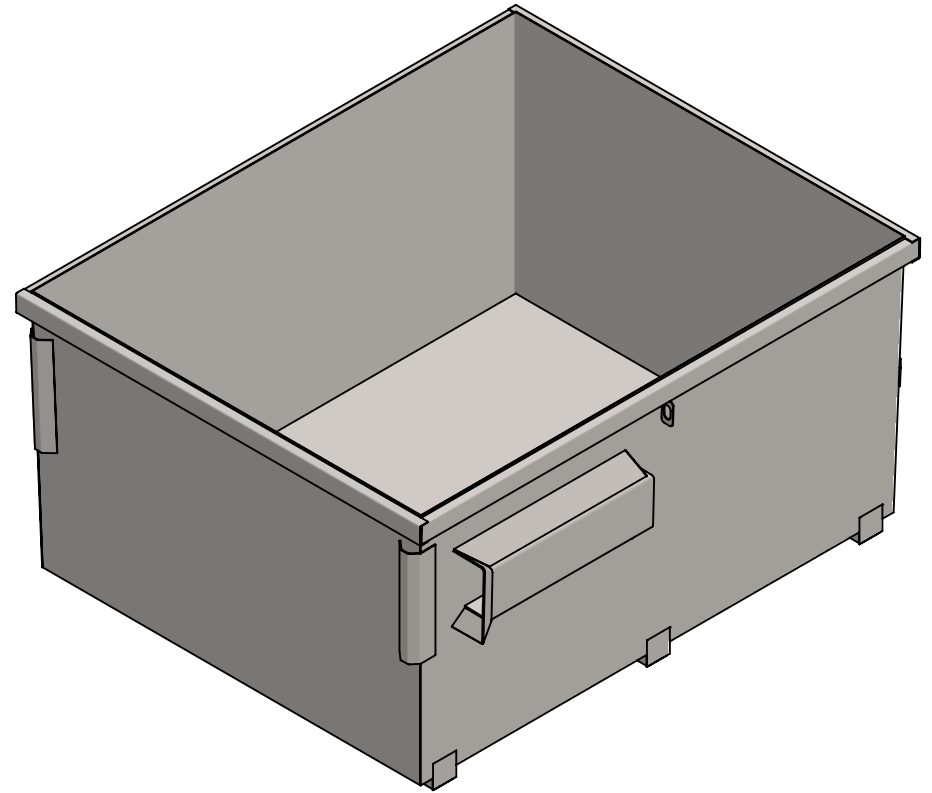
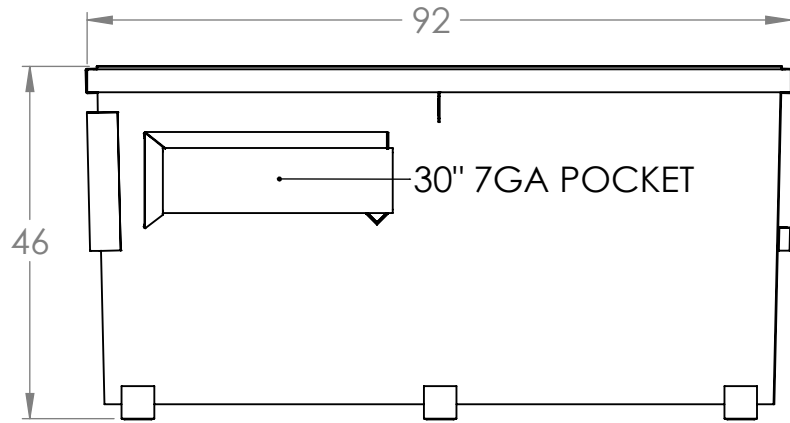


2

1

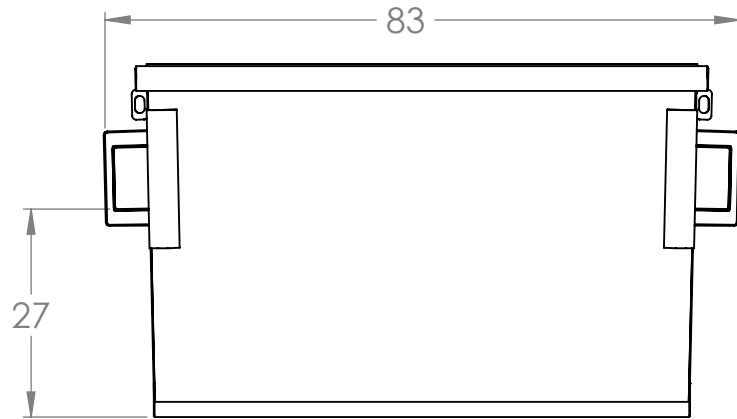
B

B



A

A



2

1

# POYNETTE IRONWORKS

**PROPRIETARY AND CONFIDENTIAL**

THE INFORMATION CONTAINED IN THIS DRAWING IS THE SOLE PROPERTY OF POYNETTE IRONWORKS. ANY REPRODUCTION IN PART OR AS A WHOLE WITHOUT THE WRITTEN PERMISSION OF POYNETTE IRONWORKS IS PROHIBITED.

UNLESS OTHERWISE SPECIFIED:		TITLE:	
DIMENSIONS ARE IN INCHES		PART NO:	
TOLERANCES:		6 FLFT-44	
FRACTIONAL	±1/16	SIZE	DESIGNED BY:
ANGULAR	±10°	A	DATE:
TWO PLACE DECIMAL	±.01	4/13/2020	
THREE PLACE DECIMAL	±.005	SCALE:	WEIGHT:
MATERIAL		1:25	777.61
		SHEET 1 OF 1	