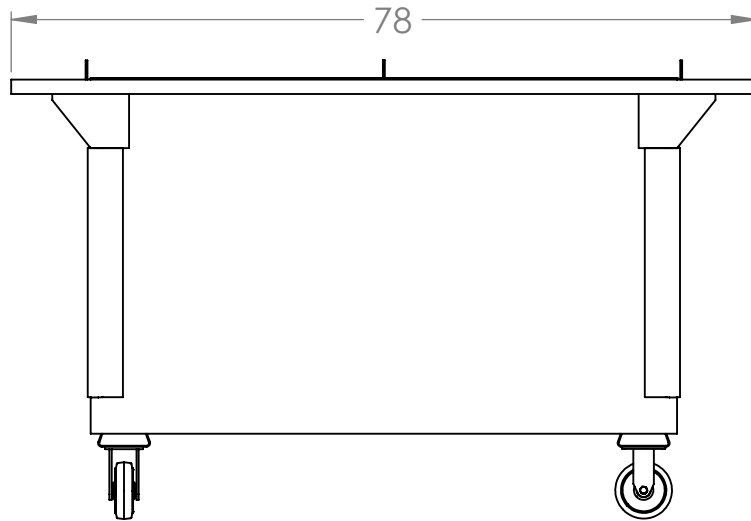
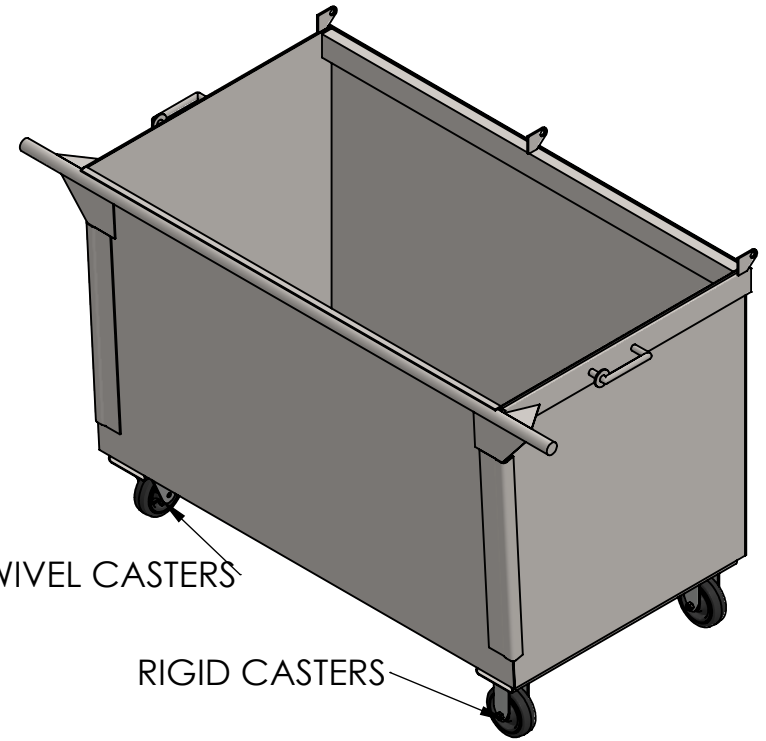
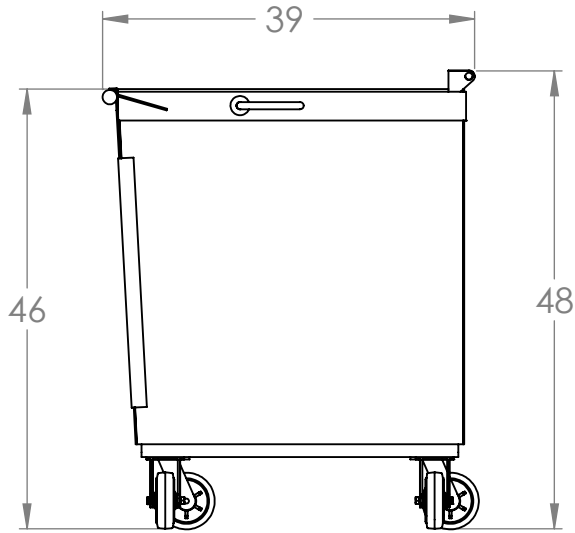


2

1



B

B

A

A

2

1

POYNETTE IRONWORKS

PROPRIETARY AND CONFIDENTIAL		TITLE:			
THE INFORMATION CONTAINED IN THIS DRAWING IS THE SOLE PROPERTY OF POYNETTE IRONWORKS. ANY REPRODUCTION IN PART OR AS A WHOLE WITHOUT THE WRITTEN PERMISSION OF POYNETTE IRONWORKS IS PROHIBITED.		UNLESS OTHERWISE SPECIFIED:			
		DIMENSIONS ARE IN INCHES TOLERANCES: FRACTIONAL ±1/2 WEIGHT ±5%			
		PART NO: 1.5 RLNS			
MATERIAL:		SIZE: A	DESIGNED BY:	DATE: 3/25/2020	REV: -
		SCALE: 1:20	WEIGHT: 430	SHEET 1 OF 1	