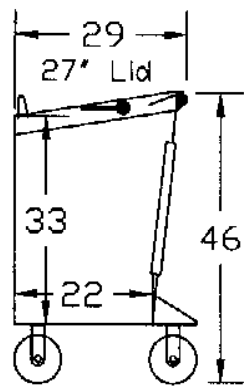
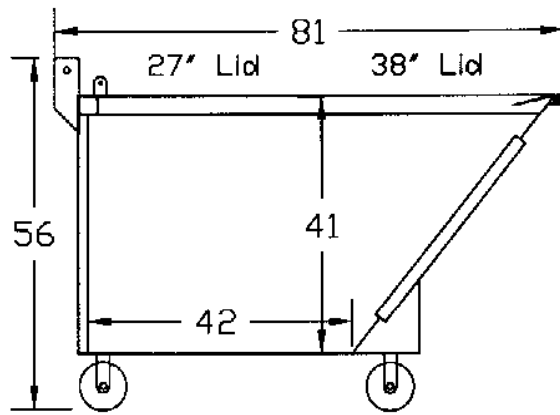


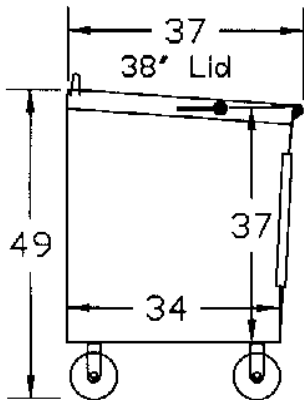
# REAR LOAD CONTAINER DIMENSIONS



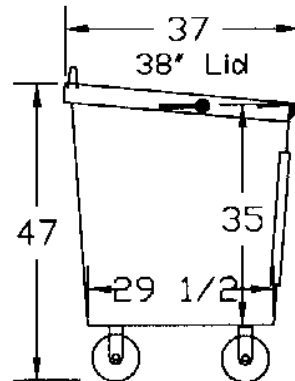
1yd Standard



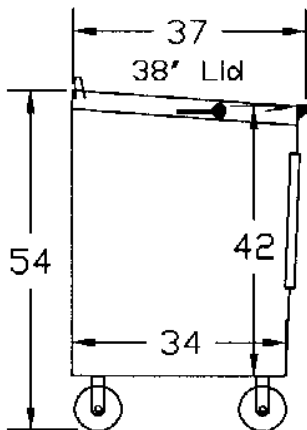
3yd Stackable



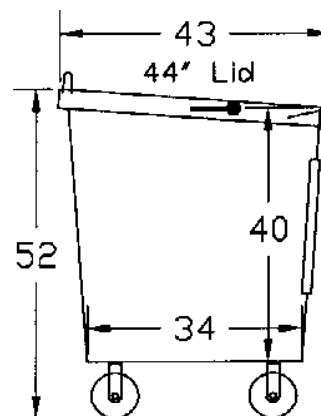
1.5yd Standard



1.5yd Stackable



2yd Standard



2yd Stackable

**POYNETTE IRON WORKS, INC.**

The *Quality* Choice